

THE BMG STUDIO STOOL

ASSEMBLY INSTRUCTIONS

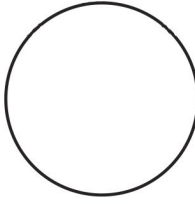



The 24" BMG Studio Stool is a striking addition to any office, workshop, recording or rehearsal space and features a robust 1" tubular steel frame with sparkling chrome finish, non-marking rubber glides to safeguard your floors, deluxe, foam-filled, commercial grade vinyl seat pad, full circumference foot-ring and smooth 360 degree swivel.



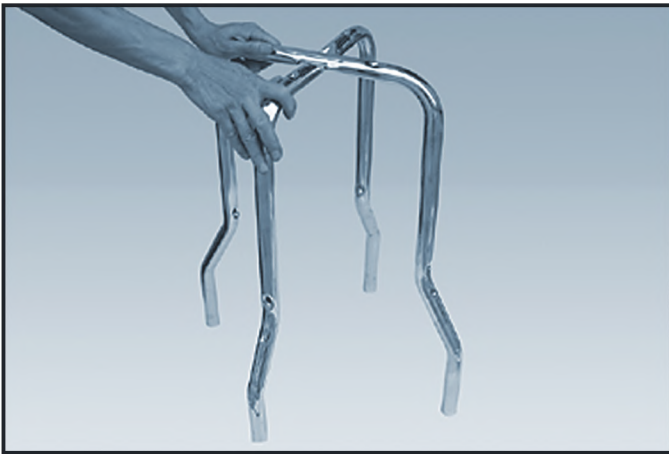
Parts List

Qty	Description and Size
1	Thick Foam Padded Seat
1	Swivel (with top & bottom offset)
1	Chrome Plated TOP leg with Glides
1	Chrome Plated BOTTOM leg with Glides
1	Large Chrome Plated Foot-Ring
2	Allen Keys
1	Wrench

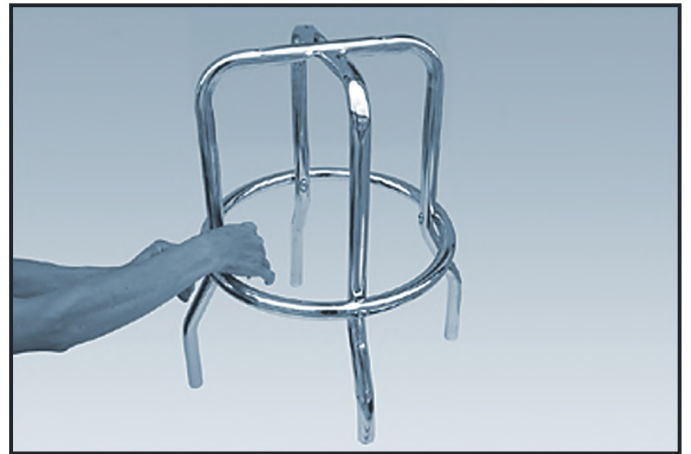
Hardware List

Description and Size	Qty
 <p>Metal Disc used for adjusting the balance of the stool legs</p>	6
 <p>Medium Bolt</p>	4
 <p>Large Bolt w/Lock Nut</p>	4
 <p>Small Bolt with Metal Sleeve</p>	4





STEP 1 Place the two bar stool legs together as shown in the photo.



STEP 2 Slide the ring over the legs and align the holes (it will probably be necessary to pull the legs apart to facilitate this). Insert metal sleeves and secure with small bolts. Tighten all bolts securely.



STEP 3 Place swivel on top of legs & align holes. With top plate at a 45° angle to the other, insert large bolts and screw on lock nuts securely. If swivel is tight, place on a carpeted floor, stand on it and twist - you should be able to turn it smoothly.



STEP 4 Turn the bar stool over and secure the seat to the swivel with medium bolts as shown in the picture.



STEP 5 Double check all nuts and bolts for tightness.



STEP 6 For proper leveling, remove rubber cap and insert supplied metal discs, as required.

